

XSeries^{G4} products

Analog input (AI) module (2100418)



Overview

The 2100418 TFIO module is a configurable 8-point analog input module. Each point can be configured as a 0 to 10 V voltage input or a 0 to 20 mA current input.

XSeries^{G4} products

Analog input (AI) module (2100418)

Point specifications

Electrical (each point)

Input Mode	Range
- Voltage	- 0 to 10V
- Current	- 0 to 20mA

Maximum voltage mode input before soft over-range

10.7V

Maximum allowable continuous input current

22.8mA

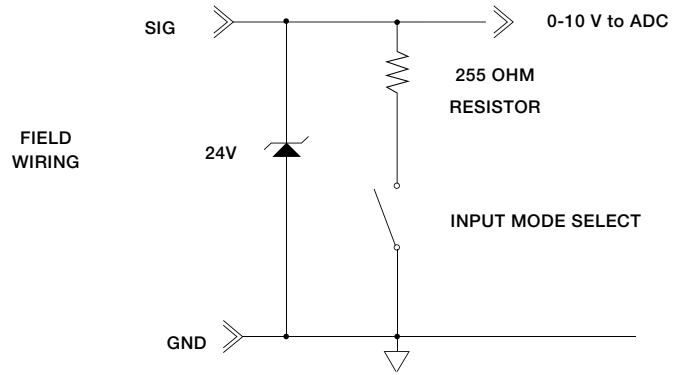
Typical input impedance voltage mode

91.24K Ohms

Typical input impedance current mode

249.3 Ohms

Typical point schematic



TFIO analog input (type II) module pin designation

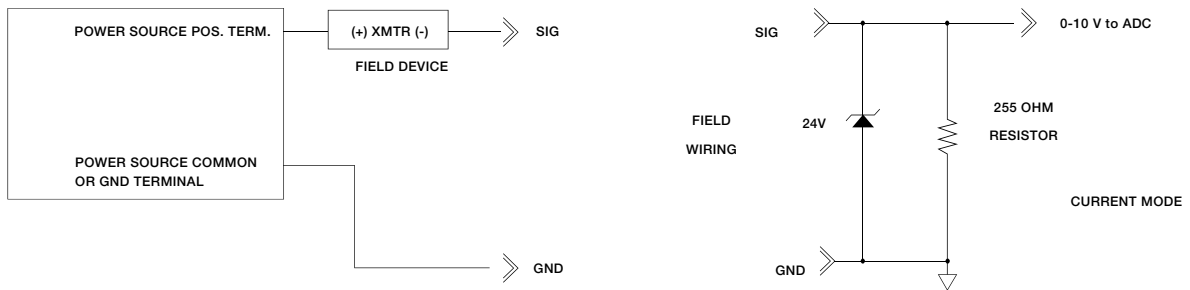
	J1	J2	J3	J4
1	AI1 (+)	AI3 (+)	AI5 (+)	AI7 (+)
2	AI1 (GND)	AI3 (GND)	AI5 (GND)	AI7 (GND)
3	AI2 (+)	AI4 (+)	AI6 (+)	AI8 (+)
4	AI2 (GND)	AI4 (GND)	AI6 (GND)	AI8 (GND)

Example connections

TYPICAL VOLTAGE INPUT FIELDS WIRING



TYPICAL 2 WIRE 4-20mA DEVICE FIELD WIRING



For further information on this and other TFIO modules refer to the User Manual.

Contact us

ABB Inc.

Upstream Oil & Gas Process Automation

Toll-free: + 1 800 442 3097
Quotes: totalflow.inquiry@us.abb.com
Orders: totalflow.order@us.abb.com
Training: totalflow.training@us.abb.com
Support: totalflowsupport@us.abb.com

Upstream Oil & Gas Main Office

7051 Industrial Boulevard
Bartlesville, OK 74006
Ph: +1 918 338 4888

Upstream Oil & Gas California Office

4300 Stine Road, Suite 405-407
Bakersfield, CA 93313
Ph: +1 661 833 2030

Upstream Oil & Gas Kansas Office

2705 Centennial Boulevard
Liberal, KS 67901
Ph: +1 620 626 4350

Upstream Oil & Gas Texas Offices

3700 West Sam Houston
Parkway South, Suite 600
Houston, TX 77042
Ph: +1 713 587 8000

3900 South County Road 1290
Odessa, TX 79765
Ph: +1 432 563 5144

150 Eagle Ford Road
Pleasanton, TX 78064
Ph: +1 830 569 8062

www.abb.com/upstream

Note

We reserve the right to make technical changes or modify the contents of this document without prior notice. With regard to purchase orders, the agreed particulars shall prevail. ABB does not accept any responsibility whatsoever for potential errors or possible lack of information in this document.

We reserve all rights in this document and in the subject matter and illustrations contained therein. Any reproduction, disclosure to third parties or utilization of its contents – in whole or in parts – is forbidden without prior written consent of ABB.

Copyright © 2016 ABB Inc.
All rights reserved



Product
webpage