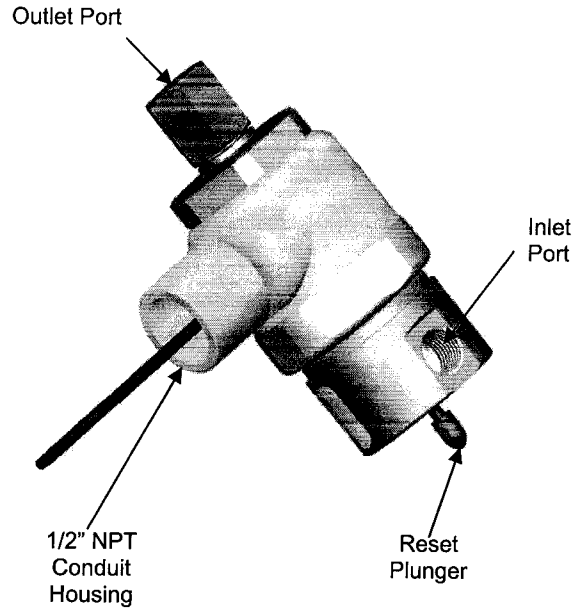
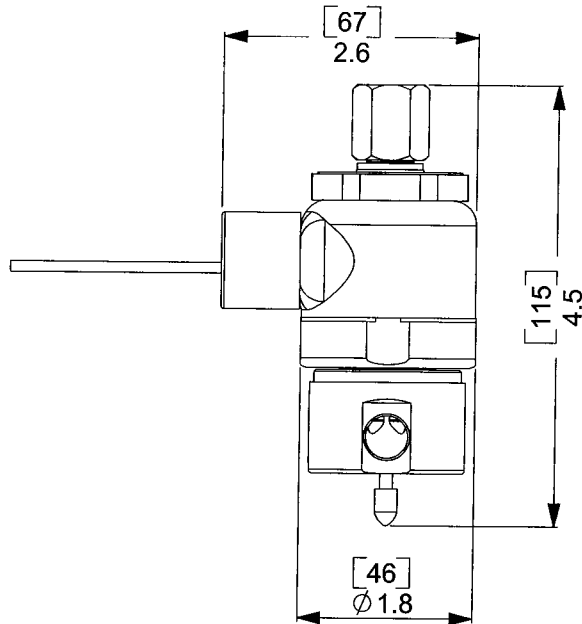




ARGUS MACHINE CO. LTD.
 5820 – 97 Street
 Edmonton, Alberta, T6E 3J1
 Ph: (780) 434 – 9451
 Fax: (780) 434 – 9909
 www.argusmachine.com

Technical Bulletin: TB – SL – 001
 Revision: 00
 ECN: -----
 Effective Date: August 4, 2004
 Prepared By: R. Chetram
 Approved By: R. Wiltermuth

Hydraulic Solenoid Valve 2-Way Normally Opened



Argus Part Number	Assembly Drawing Number	Operating Voltage	Watts	Temperature Range		Maximum Operating Pressure	
				(°F)	(°C)	(psi)	(kPa)
V5500001	SLV- 000 – 000	12VDC	.95	-50 to +200	-46 to +93	1500	10340
V5500002	SLV – 001 – 000	24VDC	1.25	-50 to +200	-46 to +93	1500	10340

Argus Part Number	Type	Orifice Size (in)	Body Material
V5500001	Normally Opened	3/64	300 Series Stainless Steel
V5500002	Normally Opened	3/64	300 Series Stainless Steel

Note: Inlet and Outlet ports are 1/4" – 18 NPT.

OPERATION INSTRUCTIONS:

- 1) Apply signal to energize solenoid.
 - 2) Depress Reset button to close system.
 - 3) Loss of electrical signal will de-energize solenoid and open the system.
- * Filtration of #100 x #100 mesh is recommended.

**Specifications Are Subject to Change Without Prior Notice.
 All Dimensions: inch [mm]**